



MAC1200-D2-BAAJ

Int.ServoAC 1182WS1 3.82Nm IP55 Inc



General information

Description Int.ServoAC 1182WS1 3.82Nm IP55 Inc , WxHxL: 80x120x203 mm. 3000 RPM. 3.82 Nm RMS / 11.46 Nm Peak Single phase 230VAC input. Notice this motor is not UL Approved No isolation P-/Earth (standard), IP55, Incremental Encoder: 8000 CPR, Color: Black, Ø19x40 mm with Keyway 6x6x30 mm

Manufacture	JVL	Motor type	Integr. AC-servo - Rotating
Motor power [W]	1182	Power Peak [W]	3546
Duty Cycle	S1	Max Duty Cycle [%]	100
Continuous Torque	3.82	Peak torque [Nm]	11.46
Main supply [V]	115, 230	Voltage type - Main	AC
Speed [Rpm]	3000	Connectivity: Without module	RS232
Encoder type	Incr. Encoder	Encoder [Counts/rev]	8000
Fan mounted	Yes	Brake	No
Integrated gear	No	Gear ratio	-
Integrated PLC	Yes	STO connector	No
Approval TÜV - STO	No	Approval - UL	No
PLC no. of AIN	2	PLC no. of DI	-
PLC no. of DIO	-	PLC no. of DO	2
Multifunction IOs	2		
Flange size	80x80	Protection house	IP55
Shaft size - Front [mm]	19.00mm	Protection shaft	IP55
Color	Black	Paint type	



MAC1200-D2-BAAJ

Int.ServoAC 1182WS1 3.82Nm IP55 Inc

General information

Ambient Temperature range [°C]:

Maximum Installation Altitude [m]:

Max. Amb. Temperature range - Torque derating:

- Power Derating every 1000m over 1000m [%]:

Weight net [kg] 4.00

Country Of Origin DK

Weight gross [kg] 4.17

Tariff no 85015220

Tariff no US



MAC1200-D2-BAAJ

Int.ServoAC 1182WS1 3.82Nm IP55 Inc

Mechanical information

Motor type	Integr. AC-servo - Rotating	Color	Black
Rotor inertia [kgcm²]	1.600	Max inertia factor	20
Encoder type	Incr. Encoder	Encoder [Counts/rev]	8000
Precision Motor - Absolute [Deg -/+]	0.04	Precision Motor - Max Load [Deg -/+]	
Precision Motor - Repeatability [Deg -/+]	0.04		
Brake	No	Brake - Go ON time [ms]	-
Brake Holding torque [Nm]	-	Brake - Go OFF time [ms]	-
Radial load [N]	xxx	Radial load distance [mm]	
Axial load [N]	xxx		
Axial play [mm]	xxx	Axial play force [N]	xxx
Front bearing type	xxx	Rear bearing type	xxx
Integrated gear	No	Gear ratio	-
Gear efficiency [%]	< -	Gear backlash [ArcMin]	-
Motor length [mm]	203.0	Motor width [mm]	84.0
Motor height [mm]	120.0	Protection house	IP55
Customer Sealing	Standard		
Flange size	80x80	Mounting holes front [mm]	5.5
Motor diameter center front [mm]	70.0	Bolt circle diameter front [mm]	90.0
Flange material		Flange Thickness [mm]	
Shaft Key included	Key included on shaft	Shaft Key Dimension	6x6x30
Shaft size - Front [mm]	19.00mm	Protection shaft	IP55
Shaft length Front [mm]	40.0	Shaft material	Steel
Approval - ROHS-3	Yes	Approval - UL	No
Approval TÜV - STO	No	Approval - ATEX	No
CAD 2D [PDF]	Download	CAD 3D [STEP]	Download
CAD 2D [DWG]	No	CAD 3D [DWG]	No

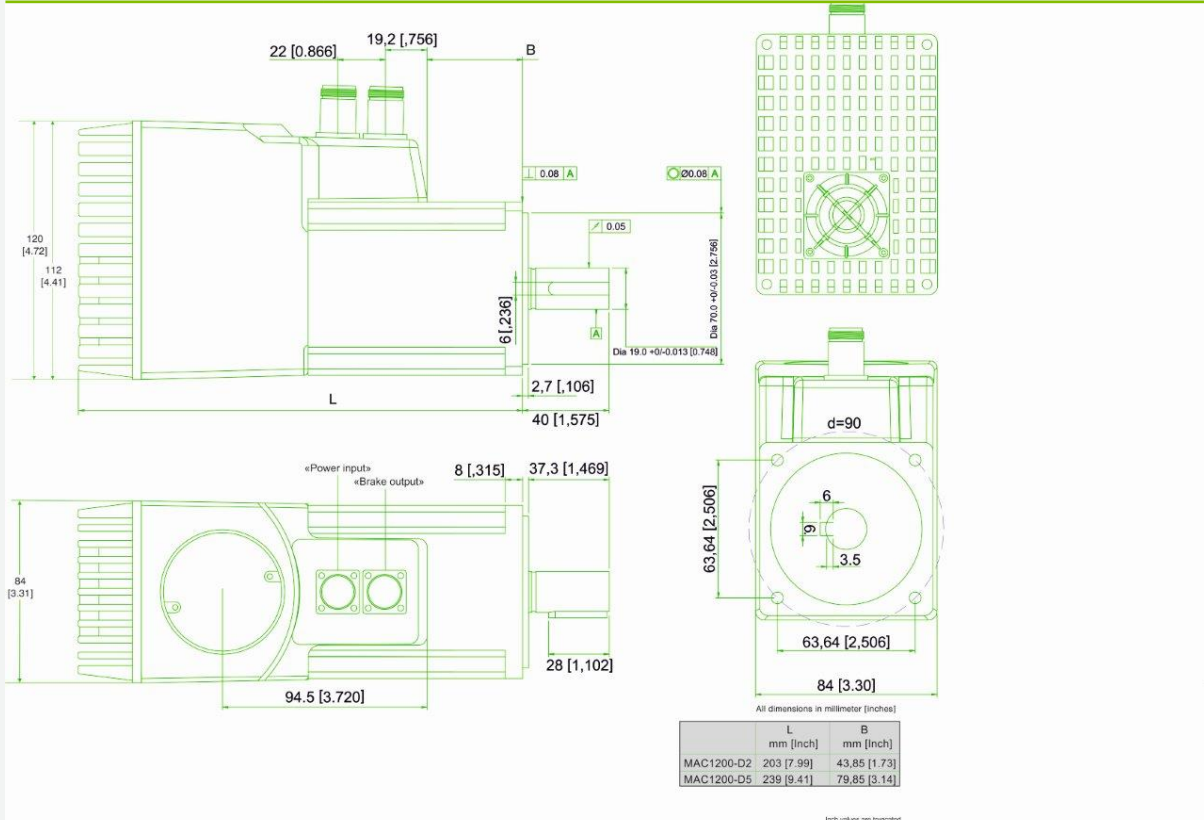


MAC1200-D2-BAAJ

Int.ServoAC 1182WS1 3.82Nm IP55 Inc

Mechanical information

CAD 3D [EASM]	No	CAD 3D [IGES]	No
Datasheet - pdf	Download	User Manual	Download
REACH SVHC document	Download	Low voltage Directive	EU Declarations of Conformity
No Dual Use	Read more here		



Shaft Seal

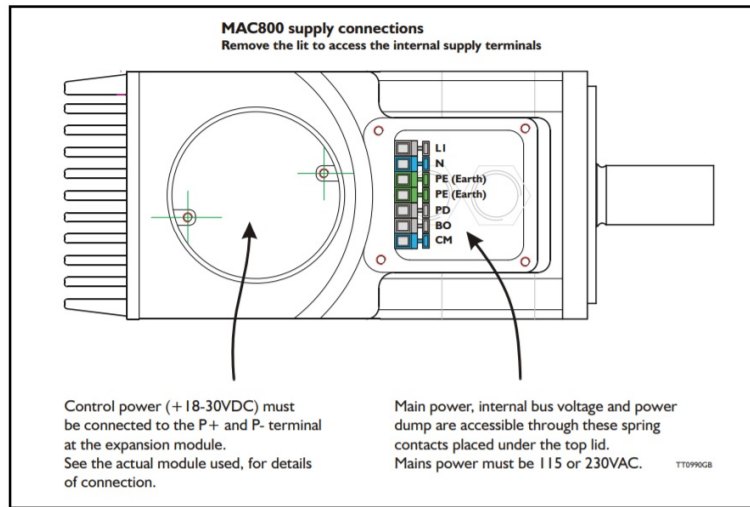


MAC1200-D2-BAAJ

Int.ServoAC 1182WS1 3.82Nm IP55 Inc

Connector information

Motor connectors



Connector Power	PG12 - Internal terminal	Connector Power Supplier
Connector Power direction	Straight	
PDO Connector Type	PG12 - Internal terminal	Connector PDO Supplier
Connector STO	No	
Expansion connector	Generation 1 and 2	

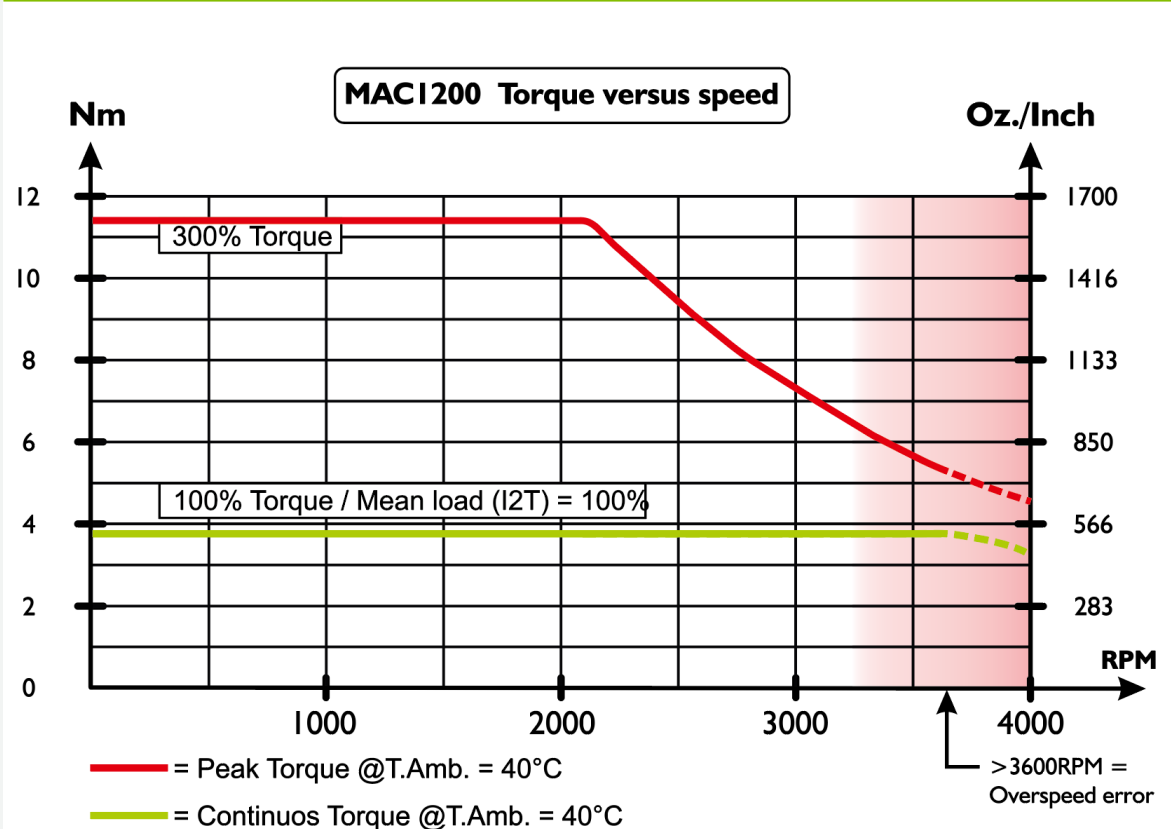


MAC1200-D2-BAAJ

Int.ServoAC 1182WS1 3.82Nm IP55 Inc

Torque, force and Power information

RMS torque [Nm]	3.82	Peak torque [Nm]	11.46
Supply Volt 1 [V]	1x115	Velocity max 1 [Rpm]	3600
Supply Volt 2 [V]	1x230	Velocity max 2 [Rpm]	3600
Supply Volt 3 [V]		Velocity max 3 [Rpm]	
Supply Volt 4 [V]		Velocity max 4 [Rpm]	





MAC1200-D2-BAAJ

Int.ServoAC 1182WS1 3.82Nm IP55 Inc

Electrical information

Main supply [V]	115, 230	Main supply Min-Max [V]	90-260
Voltage type - Main	AC	Main Voltage possible	1x115VAC, 1x230VAC
Input Voltage Frequency			
Inrush current -Main max [A]		Inrush special	No
Recommended fuse	115VAC: FRN-R-15 Cooper Bussmann inc. 230VAC: T10A@230VAC type gG, Do or Dz.	P- isolated from Earth (Low Voltage ground (P-) isolated from housing)	No
Bus Supply Voltage Min [V]		Busvoltage Overvoltage limit [VDC]	467V
Power Dump Voltage Active Level [V]		Internal Power-Dump Resistance [Ohm]	68
Internal Power-Dump Power [W]	9	PD connection - Int/Ext	Int/Ext PD in Parallel
External Power-Dump Resistance Minimum value [Ohm]	33	External Power-Dump Max Current [A]	100
Control voltage (CVI/O+) [VDC]	18-28	Control Voltage (CVI) Min-Max [VDC]	18-30
PLC no. of DI	-	PLC no. of DO	2
PLC no. of DIO	-	PLC no. of AIN	2
Analogue voltage	-/+10VDC, -/+11bit	Multifunction IOs	2
Multifunction Nom. level [V]		Multifunction Maximum level [V]	
Multifunction Low trigger level [V]		Multifunction High trigger level [V]	
Resistance [Ohm]		Induction [mH]	
Temperature Error [°C]			



MAC1200-D2-BAAJ

Int.ServoAC 1182WS1 3.82Nm IP55 Inc

Communication information

Software	MacTalk	
Connectivity: Without module	RS232	e-PLC Files
Connectivity: Gen. 1 modules	Yes	
Connectivity: Gen. 2 modules	Yes	



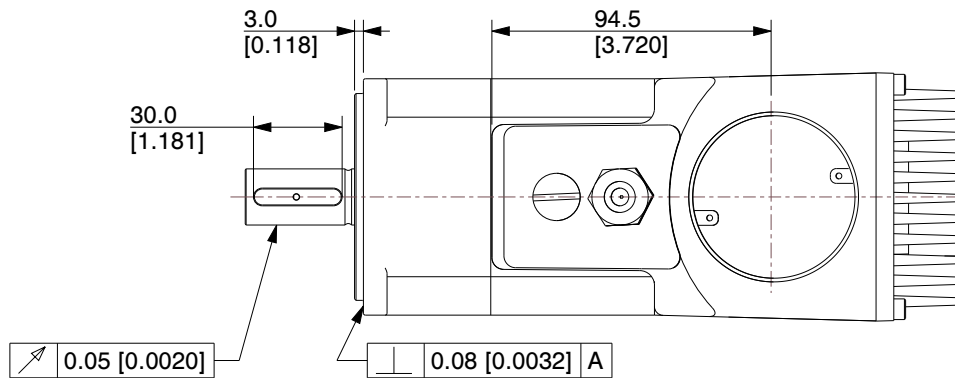
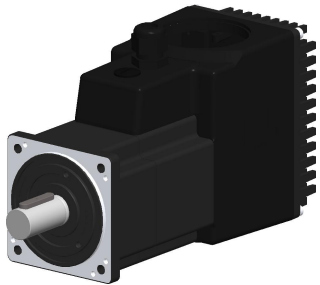
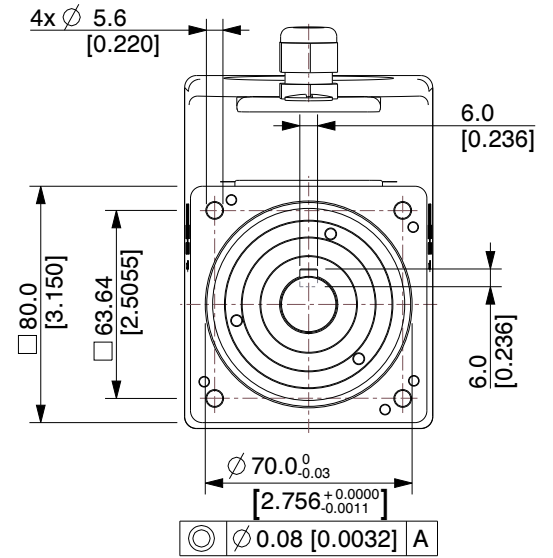
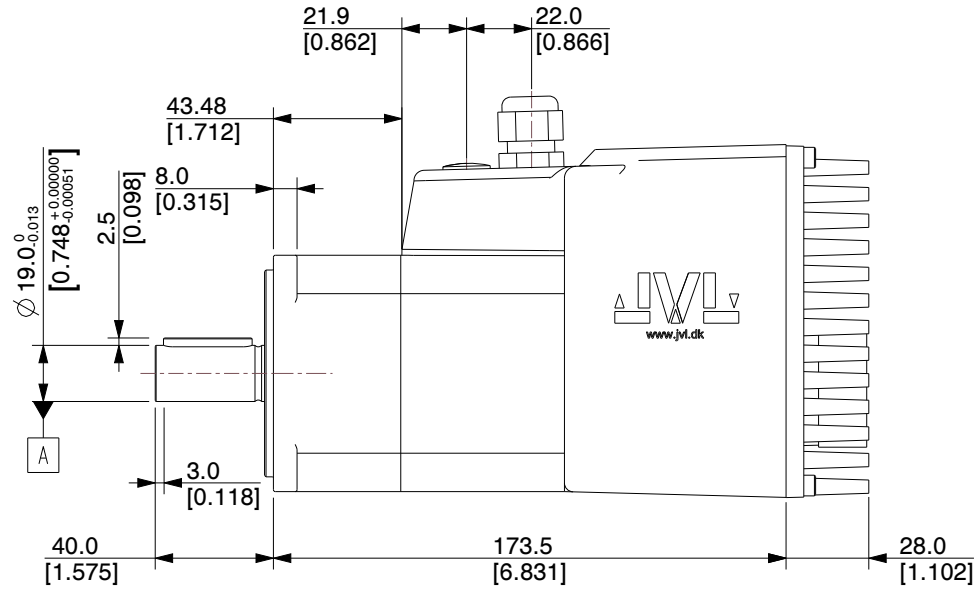
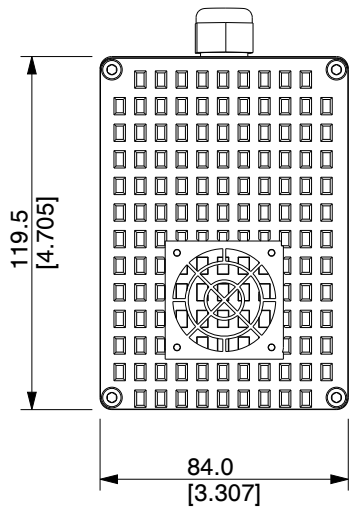
JVL A/S | Bregnerødvej 127 | DK-3460 Birkerød | Denmark | Tel. (+45) 4582 4440 | www.jvl.dk | sales@jvl.dk

MAC1200-D2-BAAJ



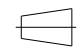

Int.ServoAC 1182WS1 3.82Nm IP55 Inc

Cable information

Item number	Mount on	Cable con 1 +Con 1 angle	Cable application	Wires no totally	Cable length [m]
Item description		Cable con 2 +Con 2 angle	Cable flexibilty	Wire [mm2]	Connector 1 LED



NOTES:
1. Encoder Type: Encoder 8000 CPR

JVL A/S Bregnerødvej 127 DK-3460 Birkerød Denmark		 		
PART NUMBER: <p style="text-align: center;">MAC1200-D2-BAAJ</p>				
PART DESCRIPTION: <p style="text-align: center;">Integrated Stepper Motor</p>				
		A4	SCALE UNIT	NTS MM [Inch]
<small>Unless specifically stated otherwise, this drawing is the property of JVL A/S and no feature embodied herein may be disclosed except as previously authorized</small>				